



STEALTH CAM®



COMMANDPRO

REVOLVER PRO

Quick Start Guide

STC-RVLRP

WHAT'S IN THE BOX

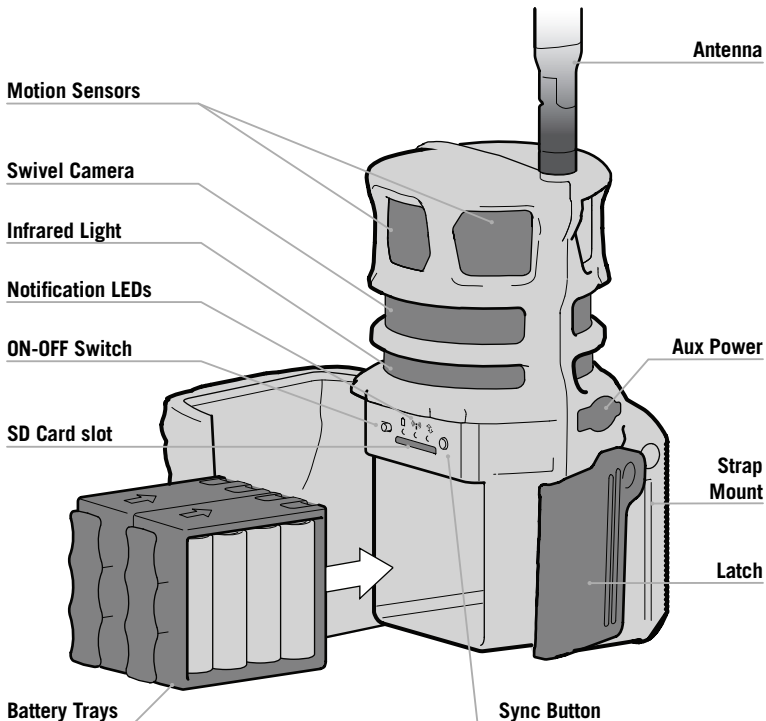
CAMERA

POST MOUNT KIT

DECAL

ANTENNA

TREE STRAP



ABOUT YOUR CAMERA

COMMAND PRO APP



Dedicated Cloud storage

Access images from any device



Animal Recognition

Filter and sort by animal



Remote Camera Settings

Adjust your camera settings from anywhere



Photo Gallery Filters

New filters to sort and find your pictures



Over the Air Updates

Your camera will keep itself up-to date with new features

CAMERA FEATURES

40

Megapixel

0.35 SEC

Trigger Speed

1440p

Video Resolution

With Audio



GPS Enabled

Automatically sets location



On Demand

Images or Videos via app



Active Zone Control

Select which zones can be triggered



Dual Networks

Automatically connect to the network with strongest signal



Matrix

Blur reduction technology



1-3 Photo Burst

Multiple images per trigger

GET STARTED

1

Get the Stealth Cam COMMAND PRO app

by GSM, LLC



2

Create an account

Open the app and follow on-screen guides to set up your account.

3

Screw on the antenna

Hand tighten your antenna enough to create a water-tight seal.

4

Install batteries and SD memory card

Do not mix alkaline, standard (carbon-zinc), or rechargeable batteries.

Do not mix old and new batteries.

Supports Class 10 SD cards up to 32GB.

CELLULAR SETUP

LED STATUS GUIDE

Press SYNC. Your camera will flash in sequence as it pairs to your account.



Flashing Green Battery:

Checking hardware
& battery status



Flashing Green Network:

Checking for internet
service



Flashing Green Connection:

Checking for connection

Each light will turn solid green when they are successful. If a light turns red, use the following error codes for possible causes.

ERROR CODES



Solid Red Battery:

- No SD card
- Low battery
- SD Larger than 32GB



Solid Red Network:

- No SIM card
- Loose SIM card
- Weak signal
- No active data plan



Solid Red Connection:

- No Connection found

All LEDs Flashing Red: software is updating. Do not turn off camera during updates.

TEST YOUR CAMERA CONNECTION

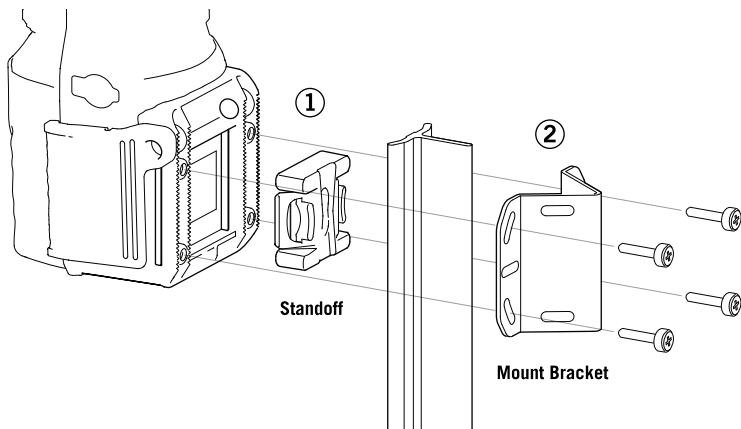
By pressing the SYNC button. This will take a test photo and instantly attempt to upload it. If successful, the photo will appear in your Command Pro app.

MOUNTING GUIDE

T-POST MOUNT

Step 1. Clip the Standoff into the back of your Revolver Cam.

Step 2. Screws through T-post mount bracket and into camera

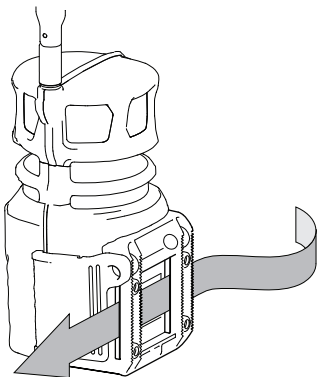


MOUNTING GUIDE

TREE STRAP MOUNT

Slide the tree strap through the mounting brackets on back and fasten the camera to a tree or pole. The serrated brackets will help keep the camera positioned once tightened.

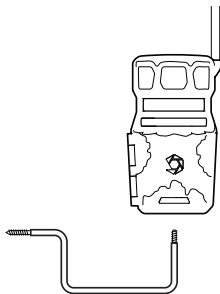
For additional security, add a Python Cable using the cable lock pass-through hole in the mounting brackets and latch.



1/4-20 THREAD MOUNT

You can place your camera on any camera stick, trail camera holder, or gear hook mount with a 1/4-20 threaded insert.

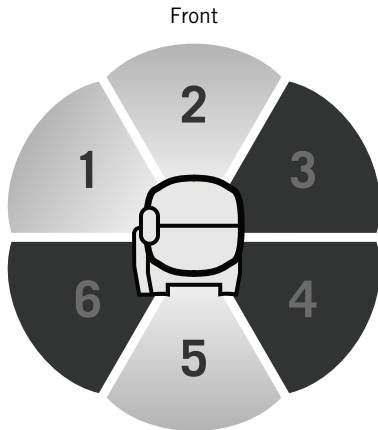
The threaded brass insert is located on the bottom of the camera.



Gear Hook

ACTIVE ZONE CONTROL

In the COMMAND PRO app, you can select some or all zones in which you want the motion sensor to trigger a capture.



All zones are active by default. Simply tap on the zone that you do not wish to trigger your camera, dark zones are inactive.

NOTE: While in 360° or 180° Panoramic modes, the camera will still be able to take images in each zone whether the zone is active or not.

SOLAR PANEL INPUT

AUX POWER PLUG

Step 1. Pull the rubber cover to the side.

Step 2. Plug the elbow adapter in. Screw the elbow in until it makes a water-tight seal. Point the elbow adapter down and out of view of the camera.

Step 3. Plug your power panel jack into the elbow adapter.



CAMERA SETTINGS

PHOTO BURST: Choose how many photos are taken when the camera is triggered.

PIR DELAY: How long to wait before the camera can be triggered again.

PHOTO RESOLUTION: The quality of each image. A higher quality will result in better photos and take more memory space.

REDUCE BLUR: Adjusts the MATRIX Blur technology to dramatically reduce the blur effect, resulting in more clear night-time infrared shots.

STANDARD: Minimize blur, while keeping long-range night image capability.

ADVANCED: Enhance blur reduction providing a balance between brightness and image sharpness.

PIR SENSITIVITY: Control the camera range. Higher sensitivity allows further range of detection. **Note:** Lower PIR sensitivity will reduce the occurrence of False Triggers such as moving grass and tree branches.

CAMERA NAME: Give your camera a name to display on the Info Bar.

DVR MODE: This setting allows you to continuously record new images.

ON: continuously delete oldest recorded files to make space for new files.

OFF: stop recording new files when SD card reaches capacity.

OPERATING HOURS: Choose a specific timeframe for the camera to be active.

24/7: Camera is always on.

SCHEDULED: Enter a time range for the camera to take photos.

START TIME (HH:MM): Start time for camera to be active.

END TIME (HH:MM): End time for camera to be active.

ERASE CARD: Format the SD memory card. Formatting your SD card will ERASE ALL DATA PRESENT. After card is formatted it is impossible to restore data that was present on card.

CAMERA MODES

PIR PHOTO / PIR VIDEO

A Photo / Video is captured in the zone the camera was triggered.



180° PANORAMIC

A 180° panoramic photo captures the triggered zone, and the zones to the left and right.



360° PANORAMIC

A 360° panoramic photo captures every zone when the camera is triggered in any active zone.



CELLULAR SETTINGS

ON DEMAND: Enables the camera to take On Demand Captures from within the app. **NOTE:** this greatly reduces battery life.

TRANSMIT FILES: Turn your data transmission on and off. While data transmission is off, no photos will be sent on your cellular data plan. Camera will still check in once a day on your daily upload time for setting updates.

UPLOAD FREQUENCY: Change how often photos are uploaded to your phone. This setting has a large effect on your Battery and Data usage. **Note:** When using the app to change settings, the camera will receive those changes the next time it was scheduled to upload.

More

Battery Usage

Less

INSTANT: Camera takes a photo and uploads every time it senses motion.

INSTANT GROUP: If motion is detected within 10 seconds of taking a photo, the camera will continue to take photos until motion ceases before uploading that batch.

HOURLY: Upload photos every hour.

TWICE PER DAY: Upload photos twice per day, based on upload time. **Note:** if upload is set to 5:00PM, camera will upload at 5AM and 5PM.

ONCE PER DAY: Upload photos once per day, based on upload time.

UPLOAD TIME: Set the time for your camera to upload photos.

NOTE: your camera will take a **daily test photo** each day at the set upload time. This photo will be indicated with a **“D”** in the info bar.

IMEI: This number is used to reference your physical camera.

ICCID: This number is used to reference your camera's SIM card.

FCC STATEMENT



NOTE: This equipment has been tested and found to comply with the limits for a Class B digital device, pursuant to part 15 of the FCC Rules. These limits are designed to provide reasonable protection against harmful interference in a residential installation. This equipment generates, uses and can radiate radio frequency energy and, if not installed and used in accordance with the instructions, may cause harmful interference to radio communications. However, there is no guarantee that interference will not occur in a particular installation. If this equipment does cause harmful interference to radio or television reception, which can be determined by turning the equipment off and on, the user is encouraged to try to correct the interference by one or more of the following measures:

- Reorient or relocate the receiving antenna.
- Increase the separation between the equipment and the receiver.
- Connect the equipment into an outlet on a circuit different from that to which the receiver is connected.
- Consult the dealer or an experienced radio/TV technician for help.

CAUTION: Changes or modifications not expressly approved by the party responsible could void the user's authority to operate this device.

IC WARNING

This device contains license-exempt transmitter(s) that comply with Innovation, Science and Economic Development Canada's license-exempt RSS(s).

Operation is subject to the following two conditions:

- (1) This device may not cause interference.
- (2) This device must accept any interference, including interference that may cause undesired operation of the device. This equipment meets the exemption from the routine evaluation limits in section of RSS-102. It should be installed and operated with a minimum distance of 20cm between the radiator and any part of your body.

Product specifications are subject to change. Good Sportsman Marketing, LLC is not responsible for any photographic or typographical errors.

May be protected by one or more U.S. Patent numbers: 6,735,387 / 6,768,868 / 6,834,162 / 7,149,422 / 7,308,196 / 7,593,632 / 7,710,457 / 8,895,926.

SUPPORT

Please complete your warranty registration online:

www.gsmoutdoors.com/product-warranty-registration



Scan for warranty information,
product support, & FAQ

CONTACT US

TECH SUPPORT EMAIL

wirelesstechsupport@gsmorg.com

Please allow 48 hours for email response.

CUSTOMER SERVICE

Toll Free: 1.888.508.5922

Mon – Fri / 8 AM – 5 PM (CST)

GSM, LLC
P.O. Box 535189
Grand Prairie, Texas 75053



