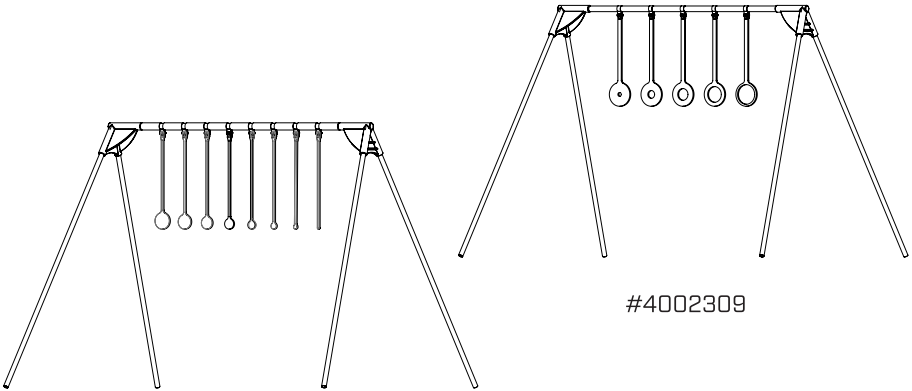




CALDWELL®

AR500 STEEL KYL TARGETS

INSTRUCTIONS & SAFETY INFORMATION



#4002310

#4002309

STOP!

Have an issue with this product?
**DO NOT USE IT OR RETURN IT
BEFORE CONTACTING CUSTOMER SERVICE.**

 **AMERICAN**
OUTDOOR BRANDS
1800 N. ROUTE Z, COLUMBIA, MO 65202
www.aob.com

Please contact Customer Service
by filling out the form on the contact page of our website at
www.caldwellshooting.com or call us at: 1-833-784-5523

NOT WARRANTED AGAINST MISUSE, ABUSE, OR COMMERCIAL USE.

Limited Warranty

For complete warranty terms and conditions, please visit www.caldwellshooting.com/warranty-info.html
or contact Customer Service at 1-833-784-5523.



WARNING: IMPORTANT SAFETY INFORMATION

Read these instructions in their entirety before using this product. Failure to follow these safety warnings and instructions could result in serious bodily injury or even death.

FIREARMS SAFETY: ALWAYS FOLLOW THE FOUR FUNDAMENTAL RULES OF FIREARM SAFETY.

Assume every gun is loaded.

Never let your muzzle cross anything you are not willing to destroy.

Know your target and what's beyond it.

Keep your finger off of the trigger until you are on target and ready to fire.

Always wear eye and ear protection when shooting or in the area of shooting.

Never allow anyone to go forward of the firing line until shooting ceases and all weapons are made safe.



WARNING: Never shoot at this product from closer than 25 yards.

Be sure you have a safe backstop, such as a hill or berm of soft earth. Be sure the area beyond and beside the target is safe and clear.



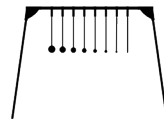
WARNING: Do not use rubble or concrete as a backstop or support surface. Bullets can ricochet off of hard surfaces.

Place the swinger directly onto soft ground. Do not place on concrete, asphalt or solid rock. Do not elevate the product. Always shoot directly at the product (shooter must be perpendicular to the target).

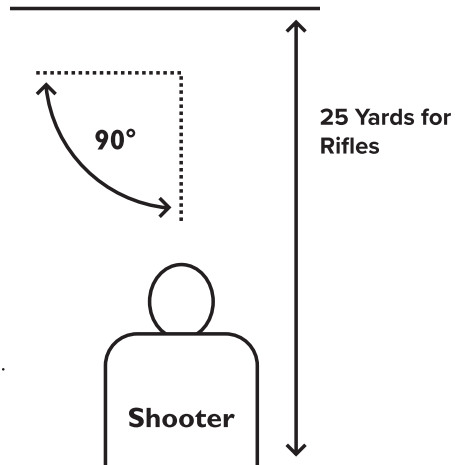
Shooters must keep at least 25 yards back from the target. Keep all bystanders behind the shooter.

LEAD SAFETY: Your AR500 KYL target and frame can accumulate lead residue from lead ammunition. Always wash your hands with warm soapy water after handling and before eating or drinking.

NOTE: The target and frame may have sharp edges after shooting. Always use caution when handling this product after use.

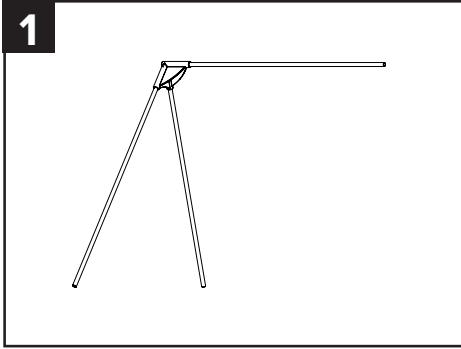


TARGET

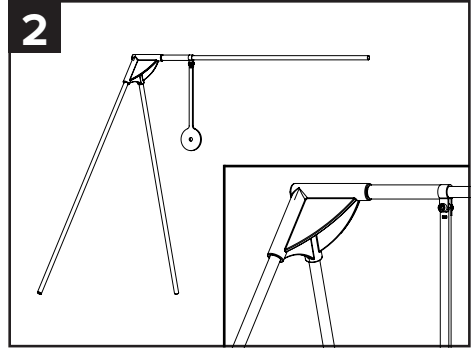


WARNING: This product is to be used by adults only or under direct adult supervision.

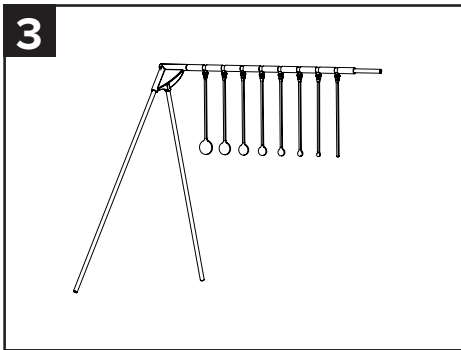
ASSEMBLY INSTRUCTIONS:



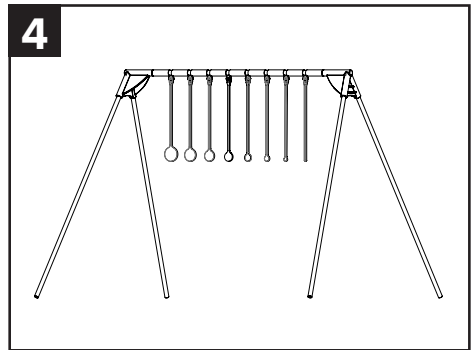
1 Assemble the bars into the frame brackets as shown, making sure the bars are fully seated in the brackets.



2 Slide one of the target centering tubes over the bar followed by the first (largest) target assembly.



3 Repeat until all tubes and target assemblies are installed.



4 Press the second set of legs onto the bar, completing the frame assembly.

In Know Your Limits (KYL), a shooting sport, competitors earn points by shooting targets in order from largest to smallest. The target must visibly “swing” to count as a hit, and competitors can stop shooting at any time to keep their points. If a competitor misses a target or shoots it out of order, they lose all points for that round. A match consists of three rounds, two back-to-back and a final, and the total score for the match is the sum of all three rounds.

Product #4002310 & #4002309
Instructions #1208502 Ver. 001



1800 N. Route Z, Columbia, MO 65202
www.aob.com

Please visit www.caldwellshooting.com/warranty-info.html or contact Customer Service at 1-833-784-5520 for complete warranty terms and conditions.

For purchasing replacement parts, please contact Caldwell Customer Service
NOT WARRANTED AGAINST MISUSE, ABUSE, OR COMMERCIAL USE.